

# Handle Lux

Series Easy Open





Lux





...lightening handle with easy opening...





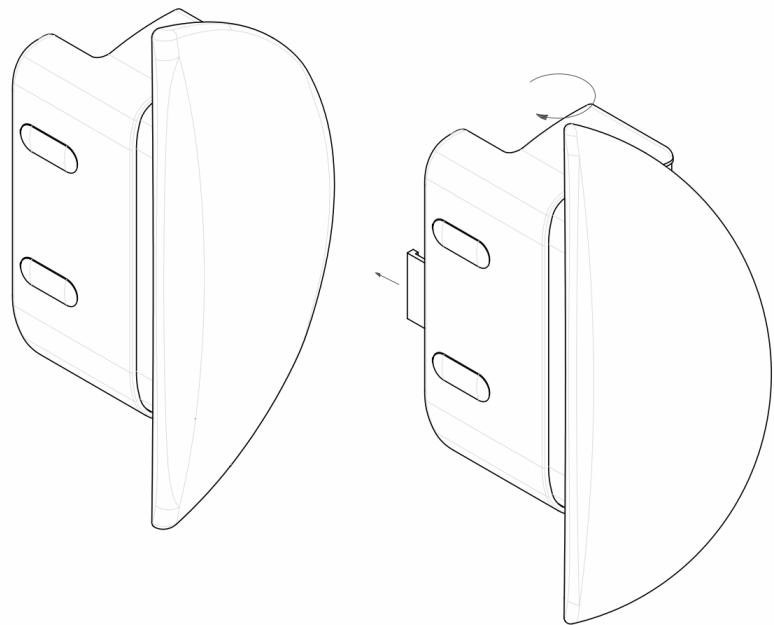
## technical features

- the back smooth light guides you during the dark and night hours and softens the aesthetic line of your refrigerator door with a relaxing play of lights and shadows.



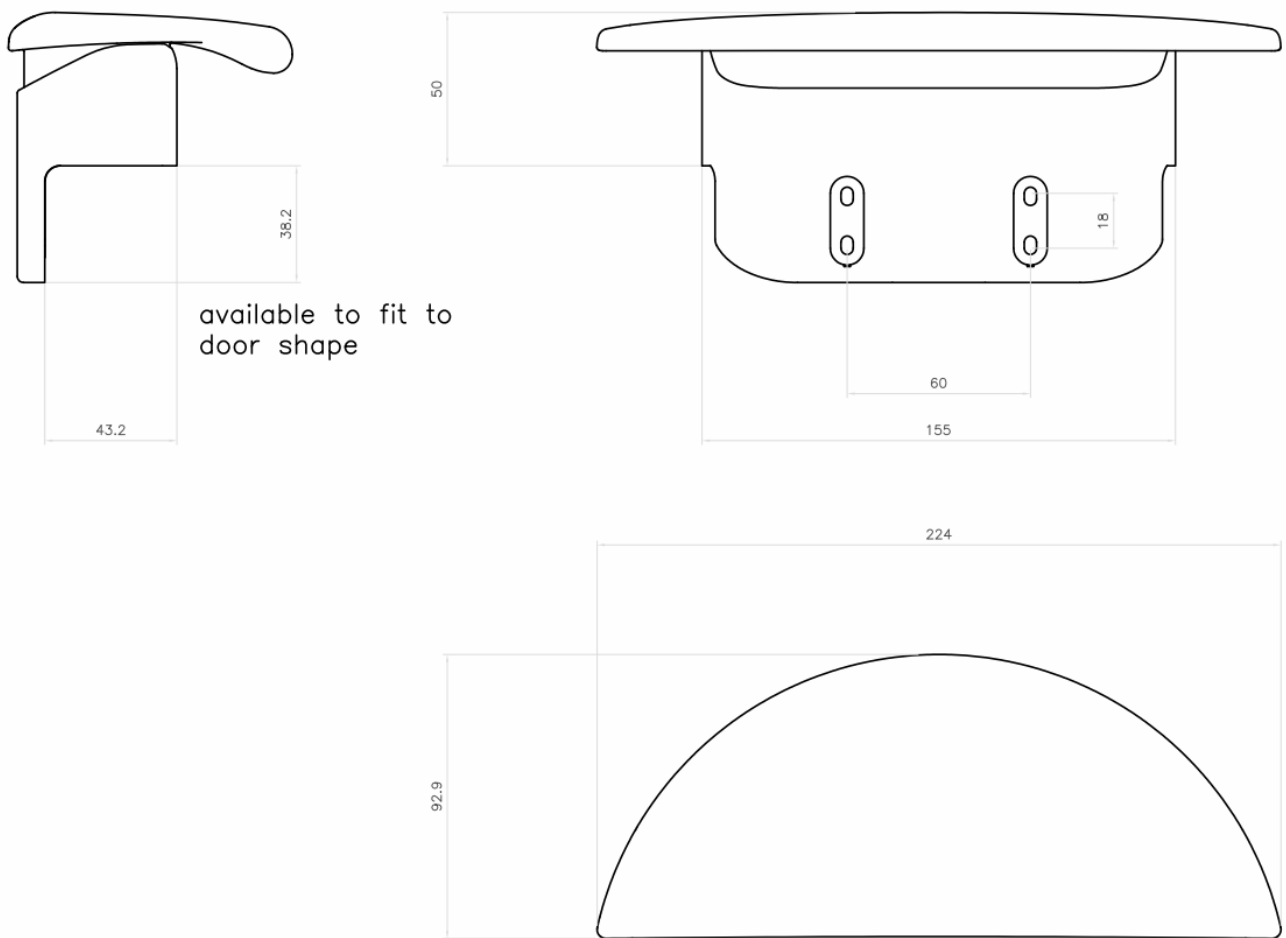
# technical features

- when rotating the handle, the inner gear will move the pusher outside the handle, against the refrigerator frame, making the opening of the door effortless.





# dimensions







# coni technic srl

Via Podgora, 34/36  
20813 Bovisio Masciago  
Monza Brianza  
Italy

For more information please contact  
[info@conigroup.it](mailto:info@conigroup.it)

Visit our website:  
[www.conigroup.it](http://www.conigroup.it)

